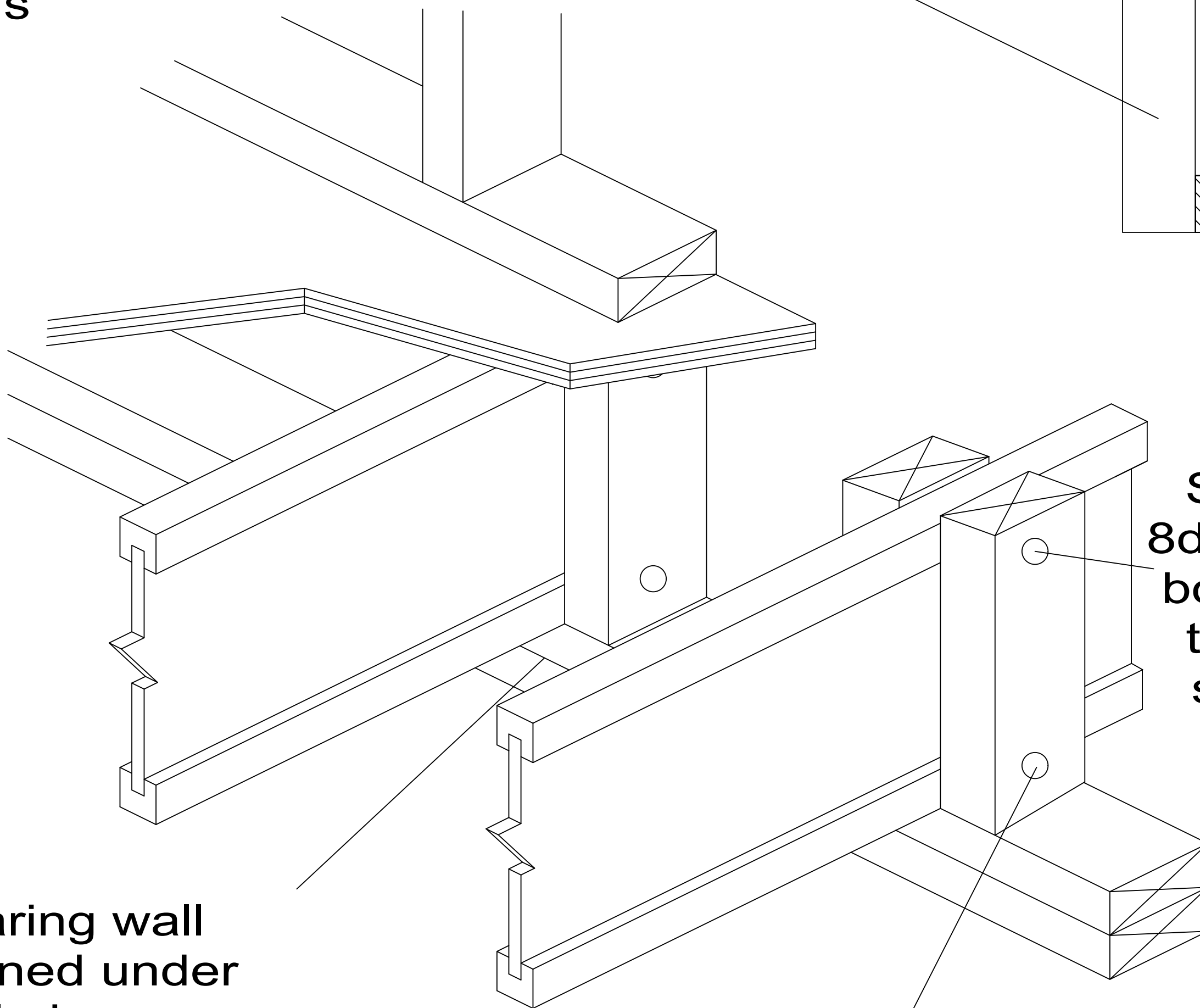
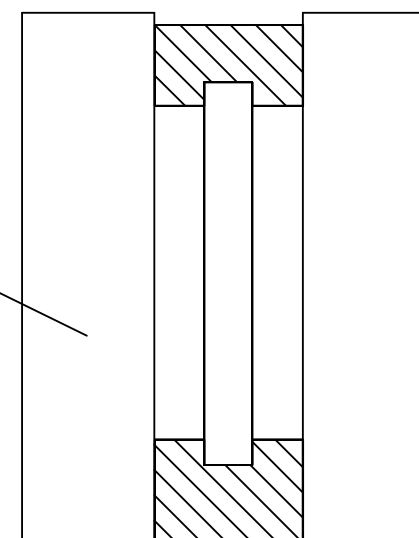


B2

SQUASH BLOCKS

Use double squash blocks as specified.
Squash blocks must be cut $\frac{1}{16}$ " taller
than I-Joist. 2x4 min.

Blocking panels
may be required
with shear
walls



Stagger
8d or 10d
box nails
to avoid
splitting

Bearing wall
aligned under
wall above

Toe nail 8d or 10d box nail to plate