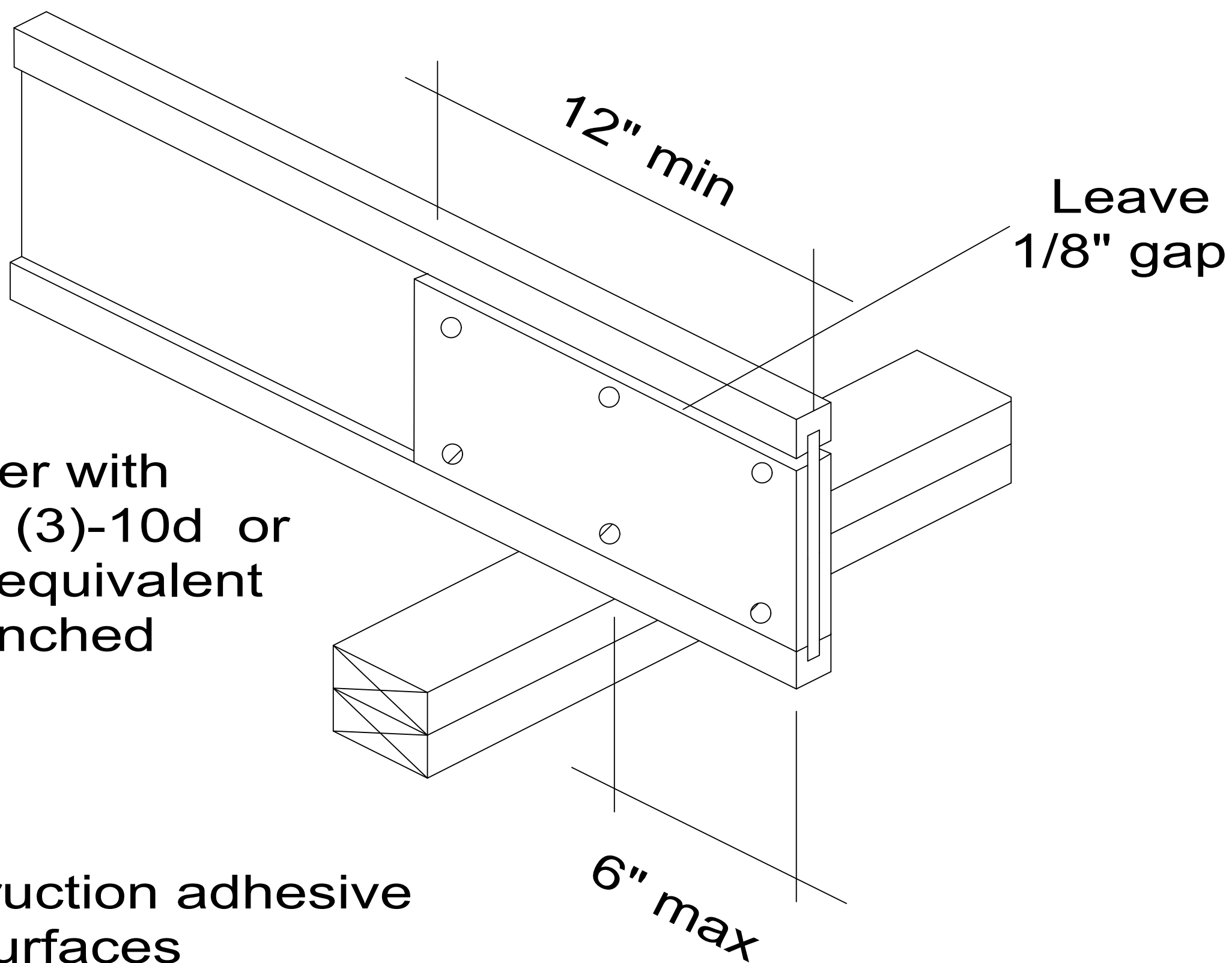


C7

BRICK LEDGE CANTILEVER

Web Filler Reinforcing

Min. 23/32" APA Rated
OSB web fillers (both sides)



Nail web filler with
two rows of (3)-10d or
12d box or equivalent
gun nail, clinched

Use construction adhesive
between surfaces

LP SolidStart Blocking panels are required at the bearing,
but are not shown for clarity.
I-Joists or Rim Board (OSB or LSL) may be used.