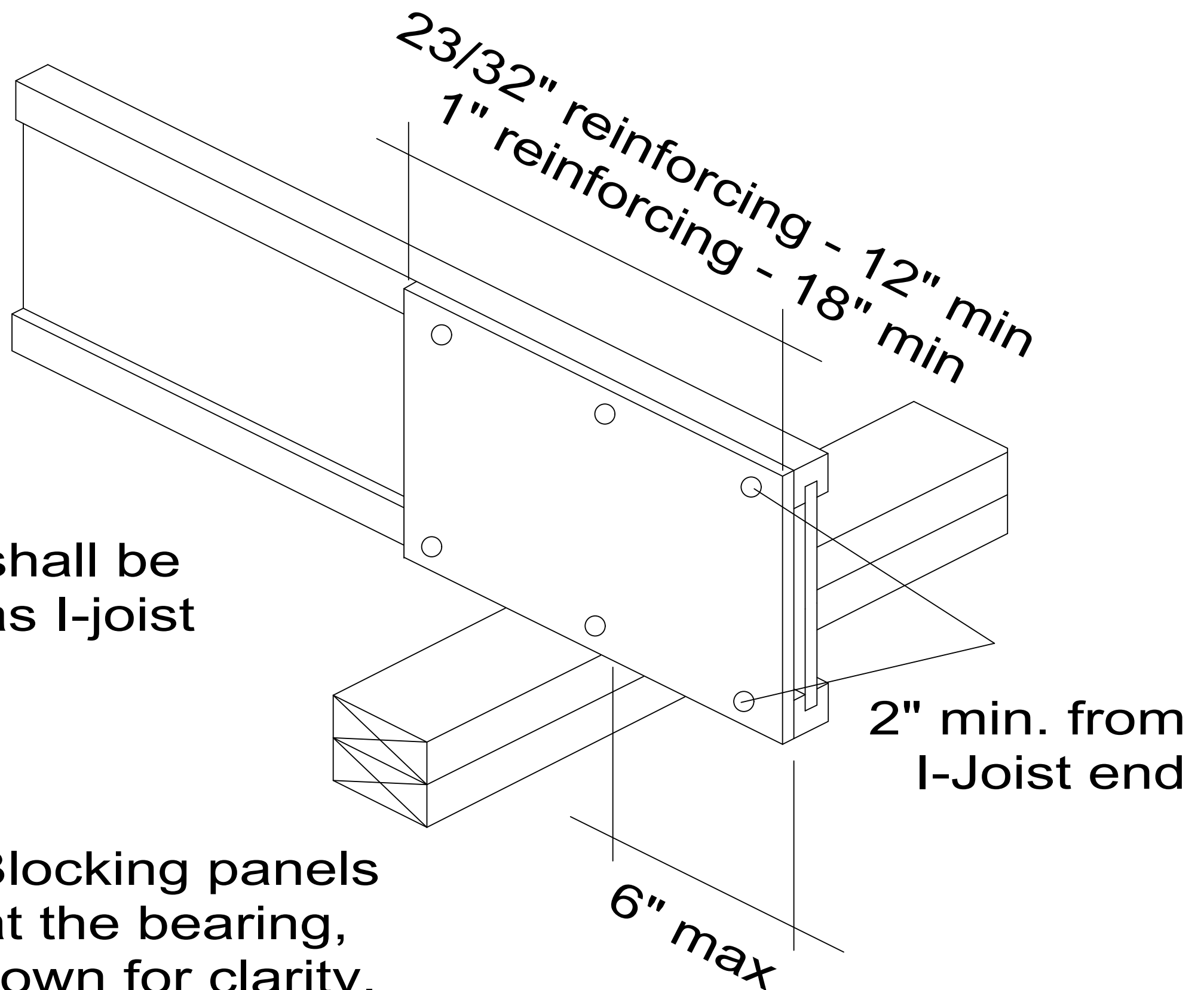


C8

# BRICK LEDGE CANTILEVER

## Full Depth Reinforcing- One Side

23/32" APA Rated OSB or 1" (min) LP Rim Board reinforcing, both sides. 14" and deeper I-Joists also require web fillers both sides (see detail C7a). Nail or screw reinforcing with (3) 6d or 8d box nails or #6x 1-1/2" wood screws into both flanges. Use construction adhesive between all surfaces. (Note: Pilot holes required with screws)



Reinforcing shall be same depth as I-joist

LP SolidStart Blocking panels are required at the bearing, but are not shown for clarity. I-Joists or Rim Board (OSB or LSL) may be used.